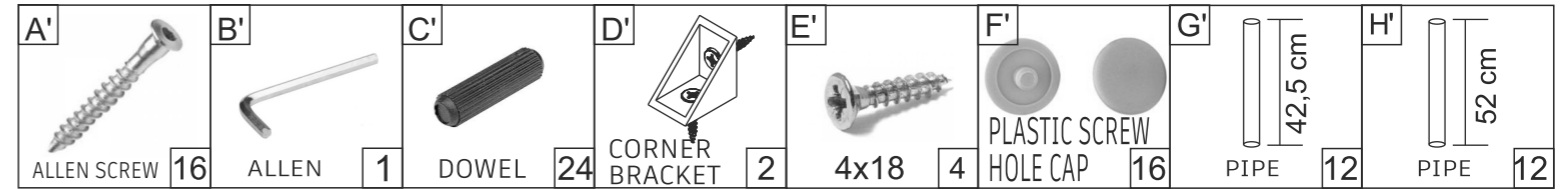
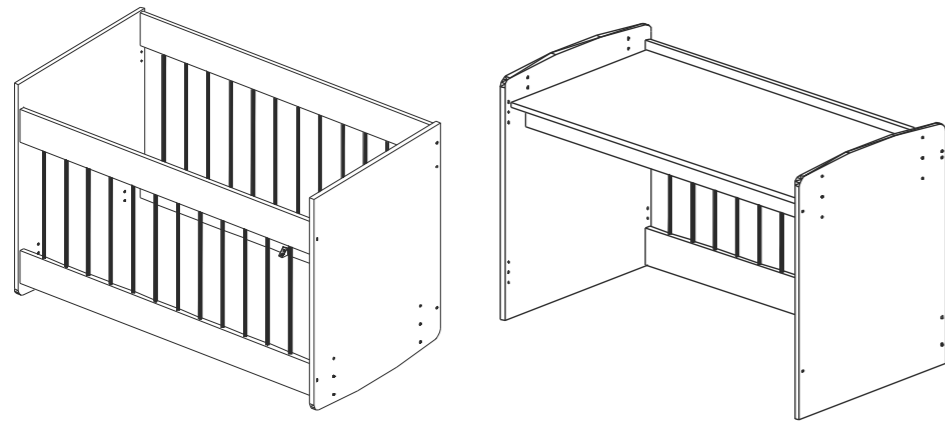
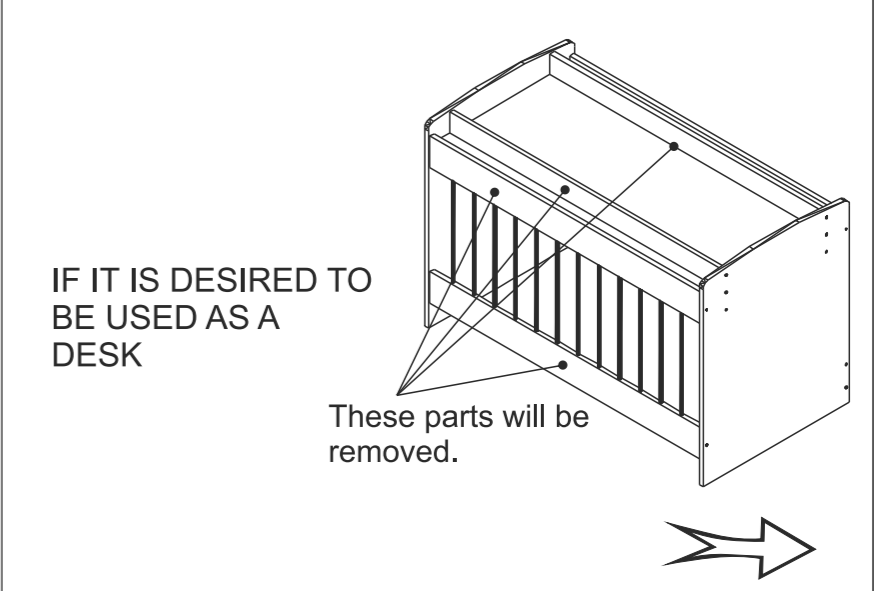
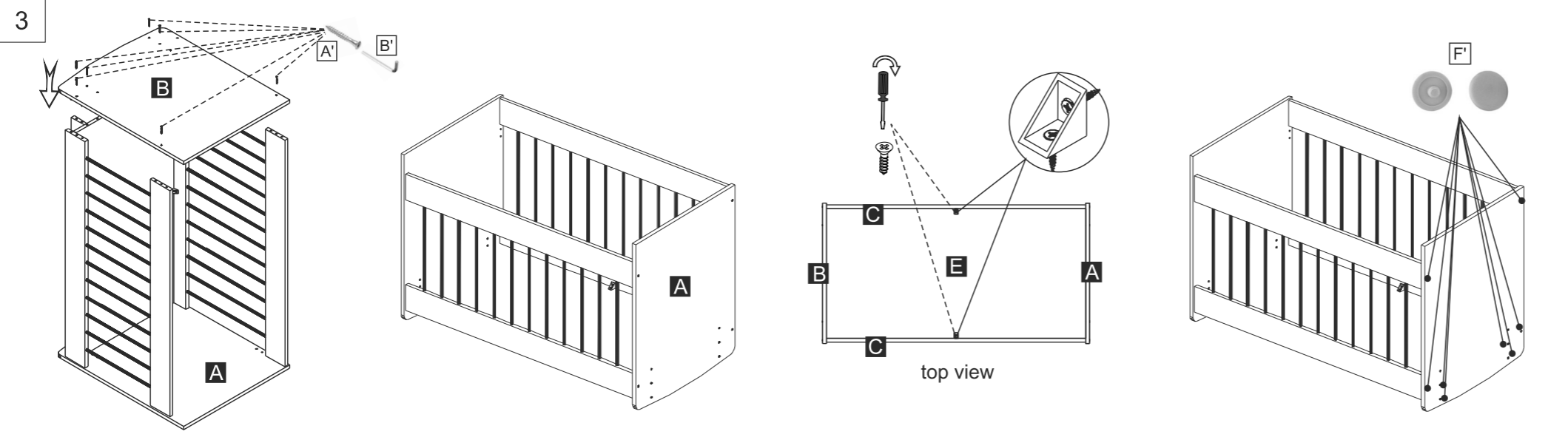
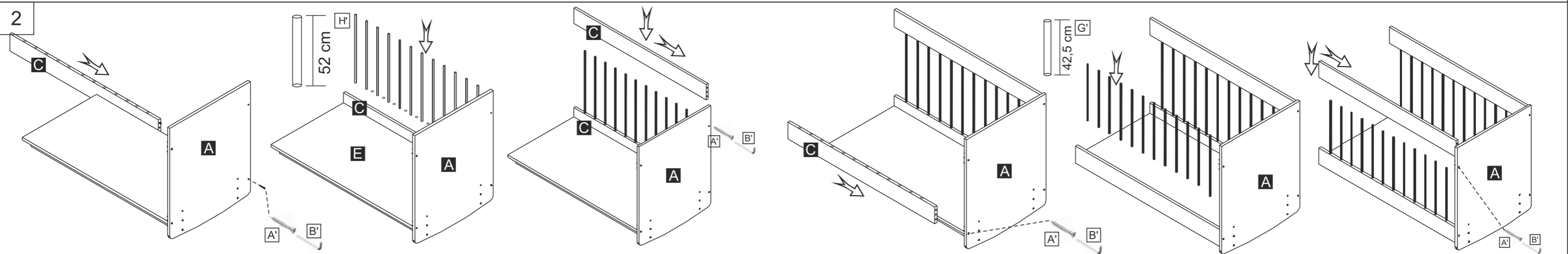
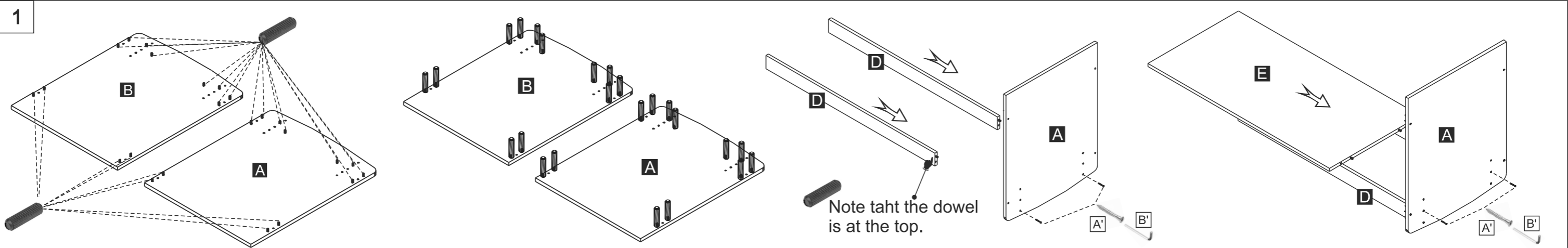
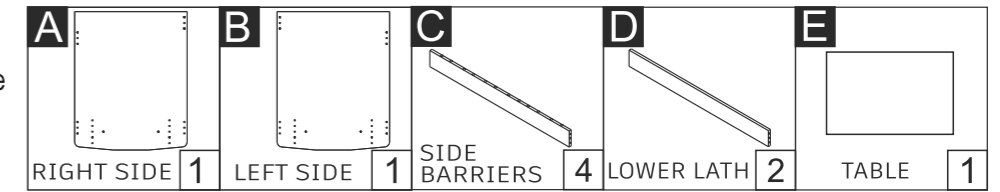


FUNCTIONAL SWINGING CRADLE

ASSEMBLY GUIDE



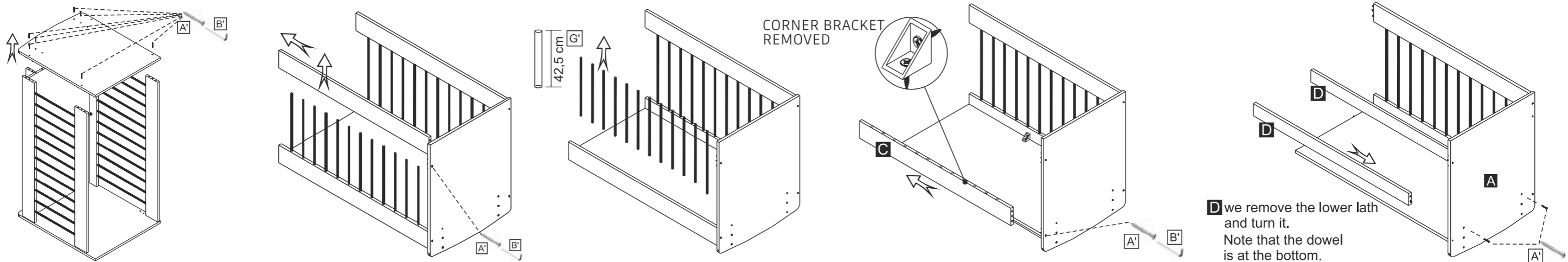
- ★ Do not start assembly without being sure that all the parts are complete
- in order not to scratch the parts , place a carton or nylon series on the installation place
- To avoid damages during installation , always work with two peoples
- Keep your children away to avoid tripping and bumping



FUNCTIONAL SWINGING CRADLE

ASSEMBLY GUIDE

1



2

