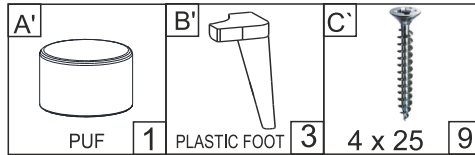
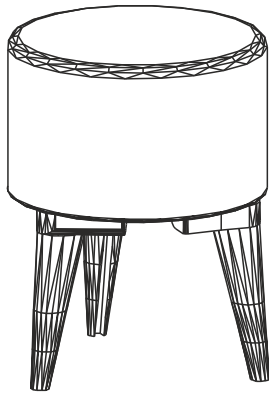
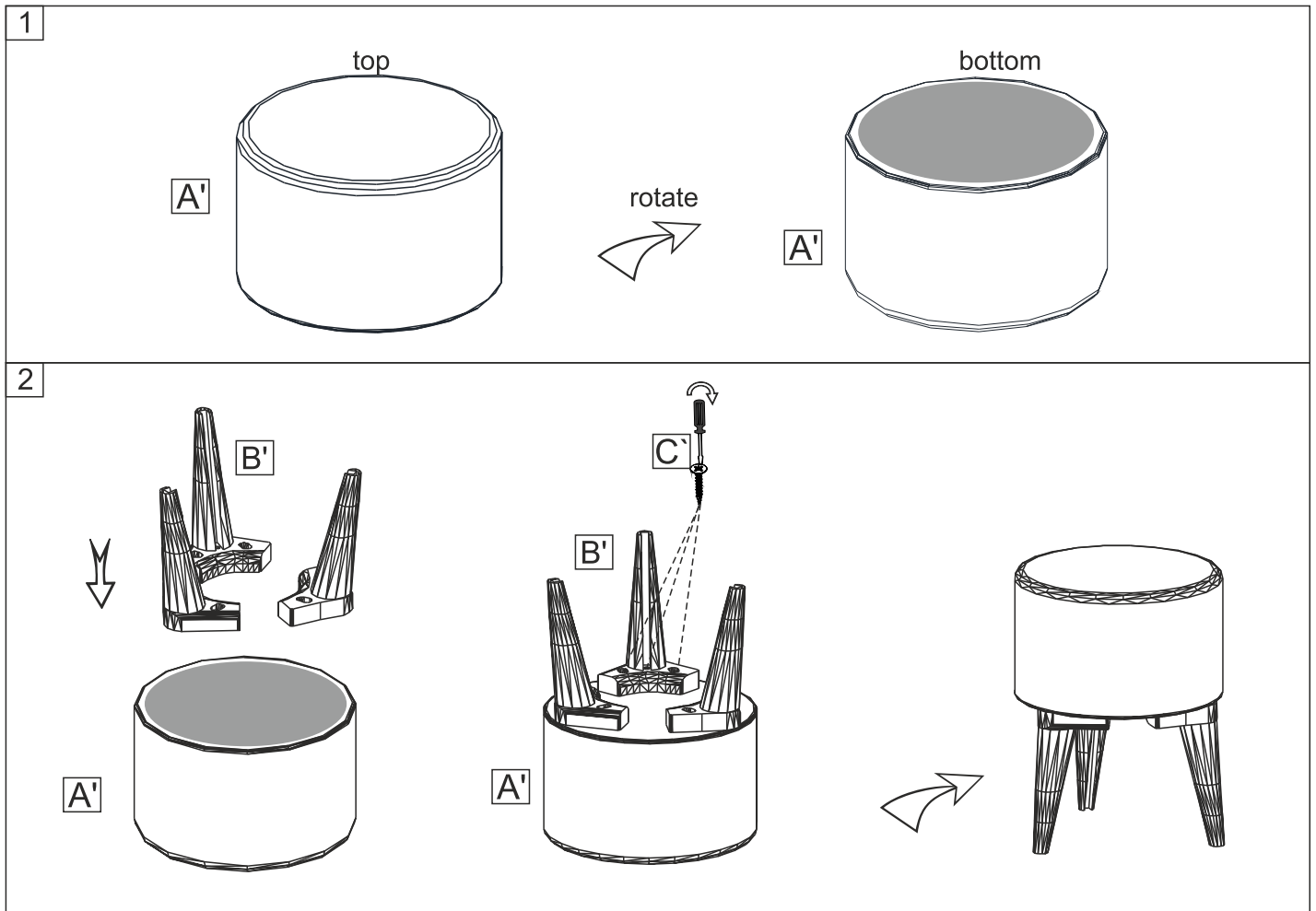


ELIF PUFF

ASSEMBLY GUIDE



- Do not start assembly without being sure that all the parts are complete
- in order not to scratch the parts , place a carton or nylon series on the installation place
- To avoid damages during installation , always work with two peoples
- Keep your children away to avoid tripping and bumping



ATTENTION

For your safety, 3 feet should be contacted on the floor while seated.



✓ Correct



✗ incorrect